

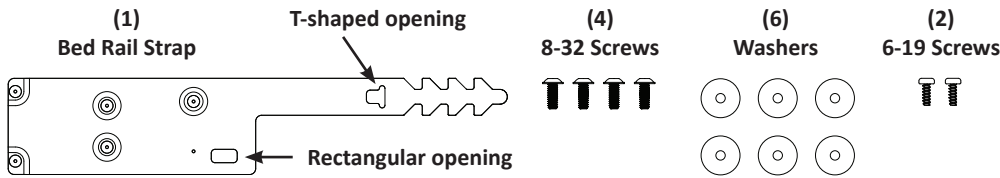
Important Before You Start: THIS IS AN ACCESSORY “QUICK SET-UP” GUIDE ONLY

Please refer to the *Dabir Operation / Service Technical Manual* for full System set-up and usage instructions. Failure to carefully read and follow all instructions and safety information may result in decreased product performance or injury.

Pre-Assembly Steps:

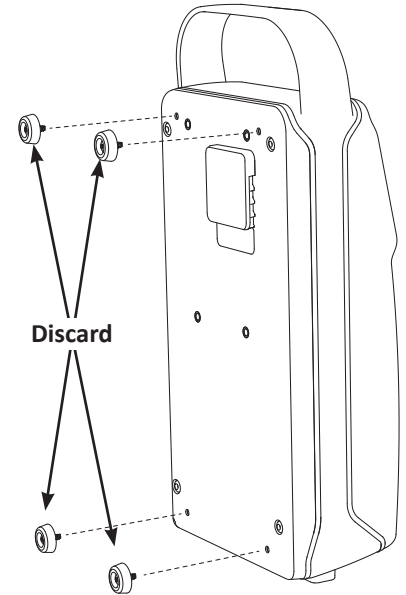
Required Tools (Not Supplied): T-15 (Torx) screwdriver, 3/32” Hex screwdriver

- To prevent damage, prepare your work area by placing a protective cloth over a flat, stable work surface.
- Remove components from their individual packaging containers.



Contents: Model C2-9010 Bed Rail Mounting Kit (NOT to scale)

- Place controller onto the work surface with its rubber feet facing up.
- Using a T-15 (Torx) screwdriver, remove all four (4) rubber feet & screws, then discard.



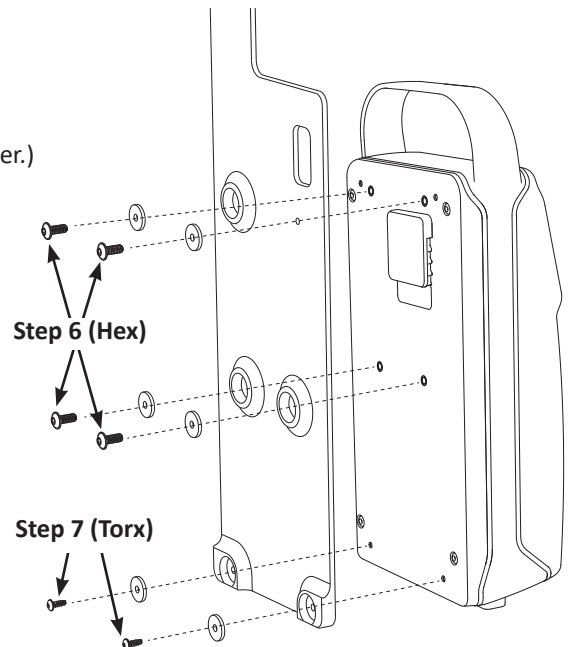
Step 4: Remove rubber feet & screws

Assembly Steps:

- Position the bed rail strap over the back of the controller as shown. (The formed feet on the strap should be facing away from the back of the controller.)
- Using a 3/32” Hex screwdriver, fasten four (4) 8-32 screws with four (4) washers into inserts in locations shown. **(Do NOT Overtighten)**
- Using a T-15 (Torx) screwdriver, fasten two (2) 6-19 screws with two (2) washers into rear housing in locations shown. **(Do NOT Overtighten - be careful not to strip hole)**

NOTE:

It is the responsibility of the user to properly clean and disinfect the System prior to patient use. (Visit www.dabir-surfaces.com/cleaners for a list of approved / unapproved cleaners.)



Steps 6 & 7: Tighten to secure bed rail strap

Corporate Headquarters, Sales & Manufacturing:

Dabir Surfaces, Inc., 7447 West Wilson Ave., Harwood Heights, IL 60706, USA, www.dabir-surfaces.com

Sales Inquiries: sales@dabir-surfaces.com, Tel: +1(888)559-3641

Technical Support: support@dabir-surfaces.com, Tel: +1(888)559-3642

PATENT: www.dabir-surfaces.com/patents

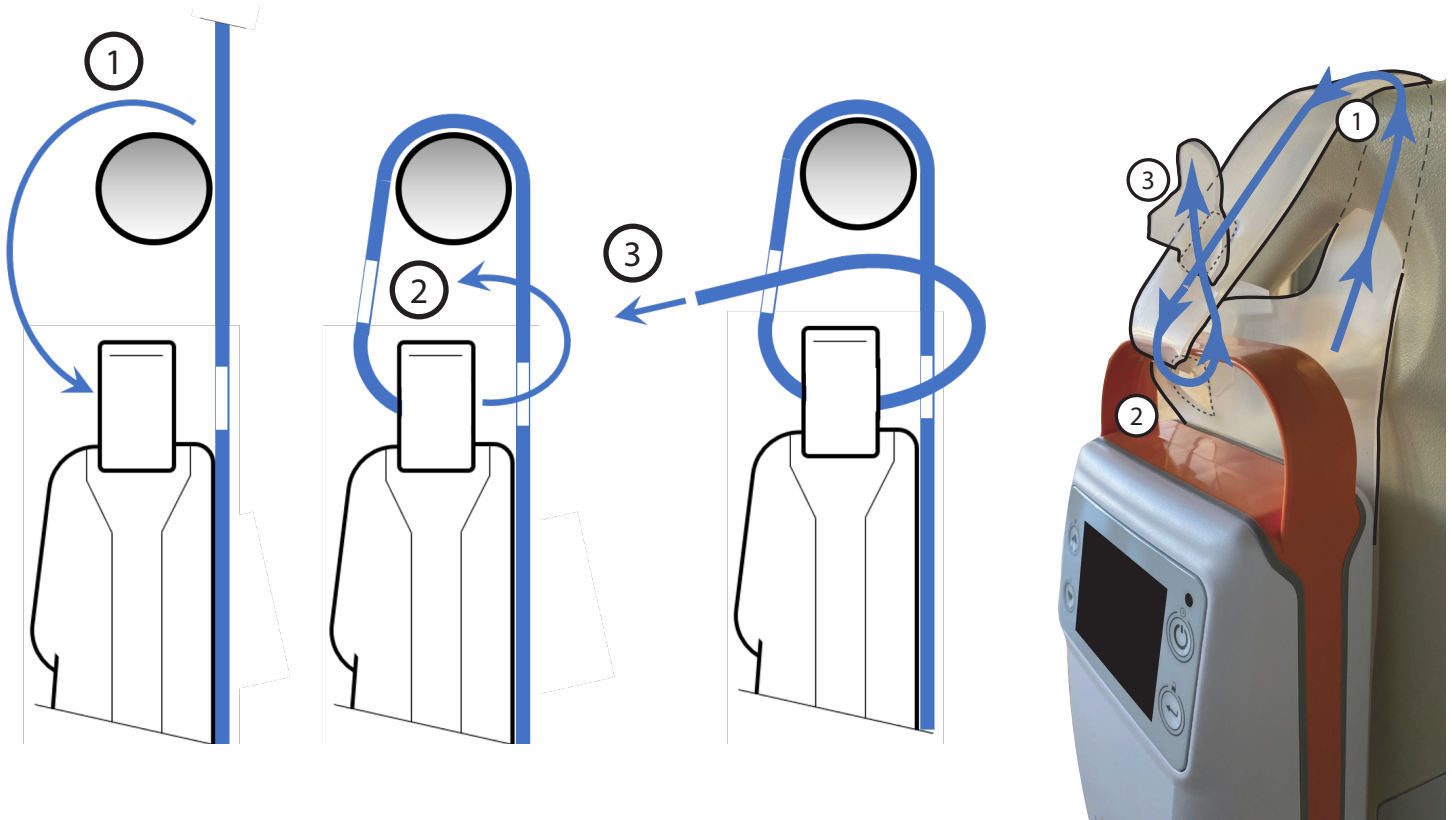
Distributor (North America): STERIS Corporation, Customer Service, Tel: +1(800)548-4873, Fax: +1(440)639-4450; Service Support, Tel: +1(800)333-8828

Authorized European Rep: Emergo Europe, Prinsessegracht 20, 2514 AP The Hague, The Netherlands



Securing to Bed Rail Steps:

1. Position the controller handle below the support rail and loop the barbed end of the strap over as shown.
2. Loop the barbed end back through the controller handle and rectangular opening in the strap.
3. Feed the remaining strap length back through the T-shaped opening and pull to desired length. (See Finished Assembly below.)



Bed Rail Mount Assembly Steps

Finished Assembly

NOTES:

- It is the responsibility of the user to secure and protect against patient movement and/or falls.
- Properly route and secure all cords and hoses to avoid trip hazard or damage.

Corporate Headquarters, Sales & Manufacturing:

Dabir Surfaces, Inc., 7447 West Wilson Ave., Harwood Heights, IL 60706, USA, www.dabir-surfaces.com

Sales Inquiries: sales@dabir-surfaces.com, Tel: +1(888)559-3641

Technical Support: support@dabir-surfaces.com, Tel: +1(888)559-3642

PATENT: www.dabir-surfaces.com/patents

Distributor (North America): STERIS Corporation, Customer Service, Tel: +1(800)548-4873, Fax: +1(440)639-4450; Service Support, Tel: +1(800)333-8828

Authorized European Rep: Emergo Europe, Prinsessegracht 20, 2514 AP The Hague, The Netherlands

