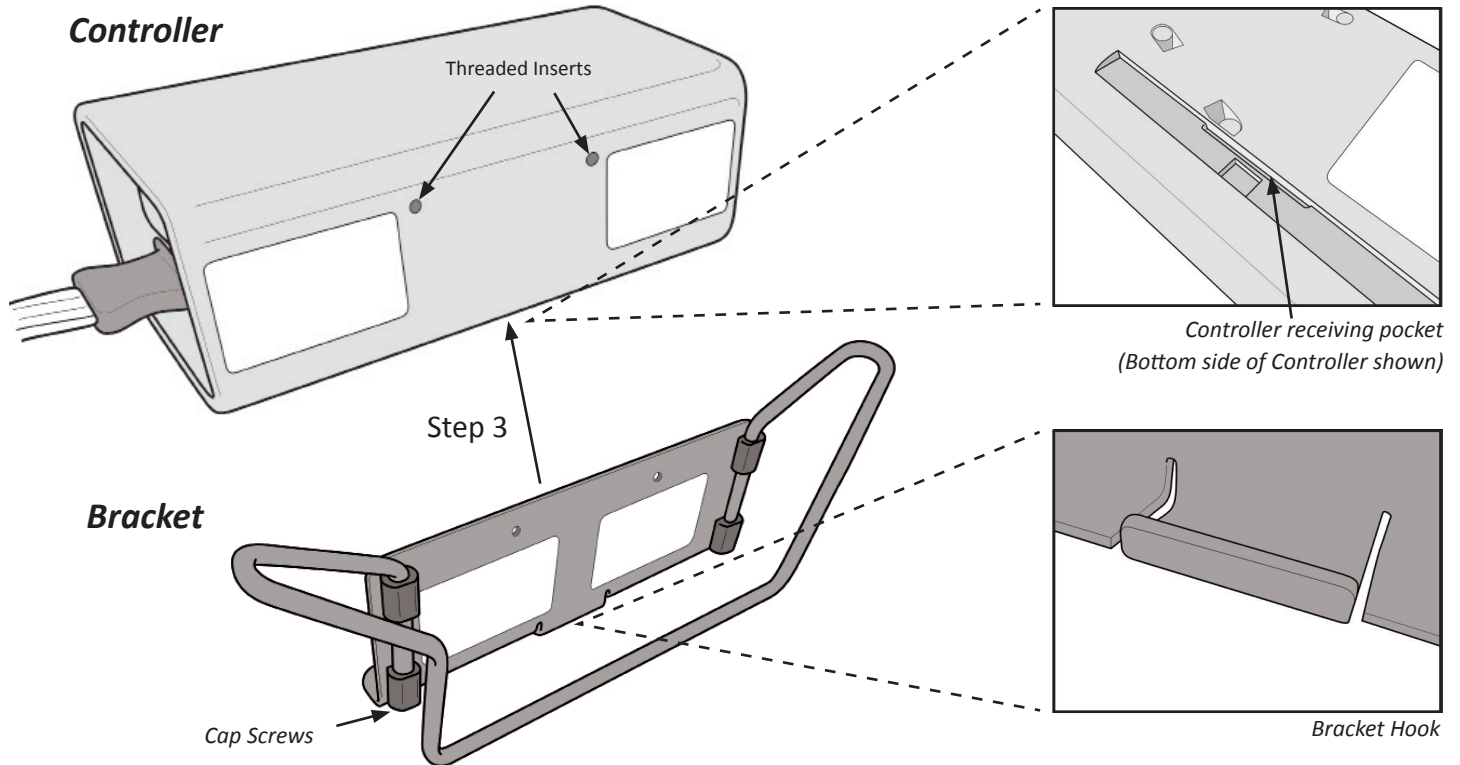


Important Before You Start

Please read the “Instructions-for-Use” device manual carefully and completely before using Dabir products. Failure to do so may result in decreased performance or product failure.

DabirAIR® Accessories: Assembly Steps (Example: Bed Rail Bracket - Other mounting brackets may apply)

1. To prevent product damage, prepare your work table area by covering it with a protective cloth or mat.
2. Identify key components and features of the device prior to assembly.



3. Firmly locate the Bracket hook into the Controller receiving pocket on the underside of the Controller. (Proper locating is critical for Step 4.)

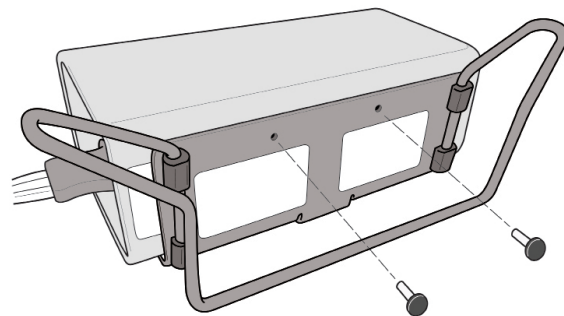
4. Hand adjust bracket position such that the threaded inserts and bracket holes align.

5. Insert the two threaded fasteners and tighten. (DO NOT OVERTIGHTEN)

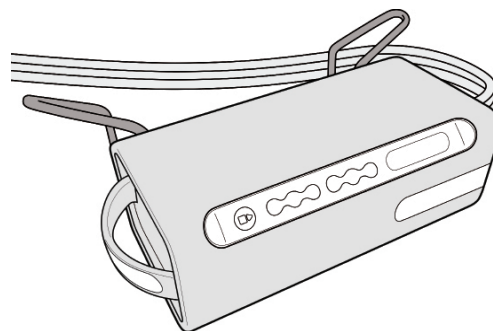
6. The bracket assembly is now complete.

NOTES:

Follow these same assembly steps for other DabirAIR mounting accessories. (Assembly tool and screws included.)



Steps 4 & 5
Align and install
Threaded Fasteners

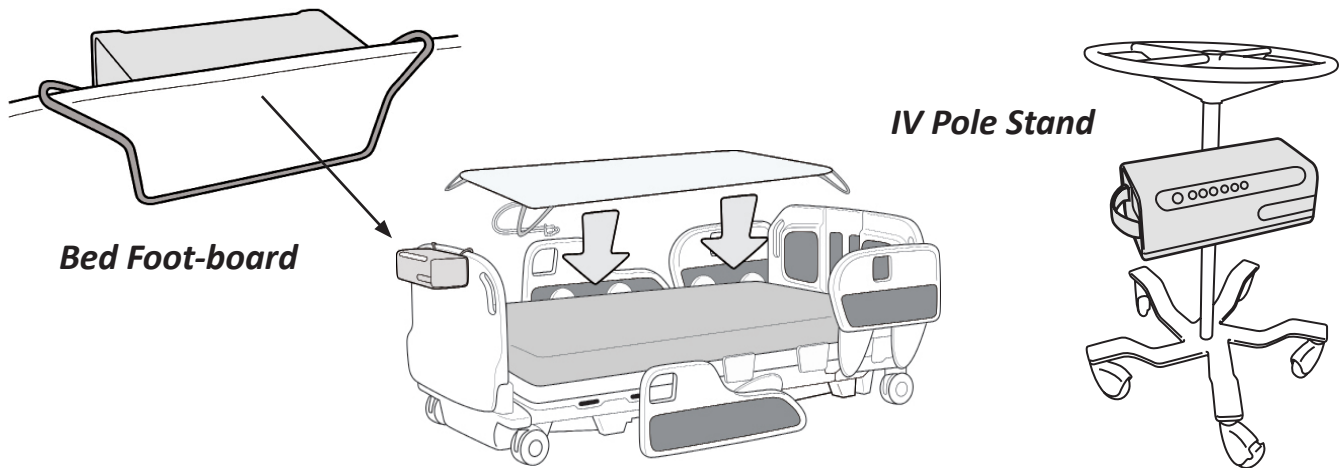


Finished
Assembly



Bed Foot-board and IV Pole Attachment

Now that the assembly steps are complete, simply hang the DabirAIR Controller off the foot end of the bed or other stable vertical surface. IV Pole accessory bracket requires manual tightening of clamps to pole.



CAUTION: It is the responsibility of the caregiver to ensure that the Device is mounted securely.



CAUTION: Do not sit or stand on Dabir Controller.



CAUTION: Prior to use, allow one hour for Device to acclimate to room temperature.



CAUTION: Small objects present a choking hazard.



CAUTION: To avoid injury, keep hands, fingers and other body parts away from potential pinch points.



CAUTION: Only use DabirAIR certified Accessories when operating this Device.

Cleaning Procedures

Please reference the manufacturer's "Instructions-for-Use" device manual for recommended cleaning procedures. Adjust if needed to accommodate specific healthcare facility policy.



CAUTION: Aggressive cleaning measures may cause damage. It is the responsibility of the caregiver to replace product when needed.

General Cleaning Instructions

Disinfect by wiping down all areas with a hospital grade disinfecting cleaner and water making sure to remove any organic debris. Allow for proper drying time per the disinfectant manufacturers instructions.

Headquarters:

Manufacturer:

Sales Contact:

Technical and Warranty Support:

Website:

European Authorized Representative:

Dabir Surfaces, Inc., 7447 West Wilson Ave., Harwood Heights, IL 60706, USA

Dabir Surfaces, Inc., 7447 West Wilson Ave., Harwood Heights, IL 60706, USA

sales@dabir-surfaces.com

support@dabir-surfaces.com Tel: +1(888)559-3642

www.dabir-surfaces.com

Emergo Europe, Prinsessegracht 20, 2514 AP The Hague, The Netherlands

Tel: +1(888)559-3641

Tel: +1(888)559-3641

