

Important Before You Start

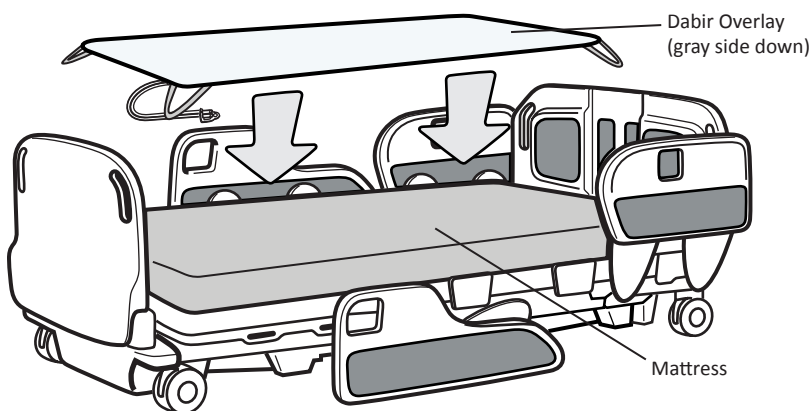
This is a quick set-up guide only. Please read supplied (**Instructions For Use**) manual carefully and completely before using this product. As with any device, failure to carefully read and follow all instructions and safety information prior to use may result in decreased product performance or failure.

DabirAIR Overlay Installation

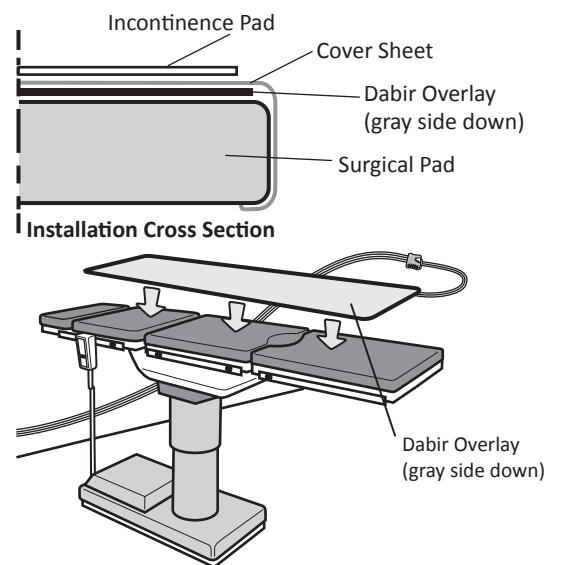
1. Place Overlay flat onto patient support surface, mattress or pad with “THIS SIDE UP” facing up (gray side down) and secure corner straps when applicable. Hose routing is preferred at the foot end for bed installations.
2. Place facility supplied cover sheet and incontinence pad over the top of the Overlay and tuck edges underneath the mattress or pad. Avoid wrinkles whenever possible to optimize performance and patient comfort.

MedSurg Bed / Gurney Installation

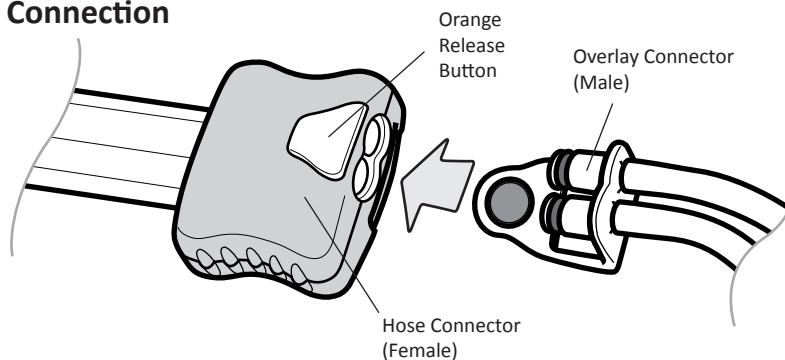
Place cover sheet and incontinence pad **ABOVE** Dabir Overlay.



Surgical Table Installation



Hose/Overlay Connection



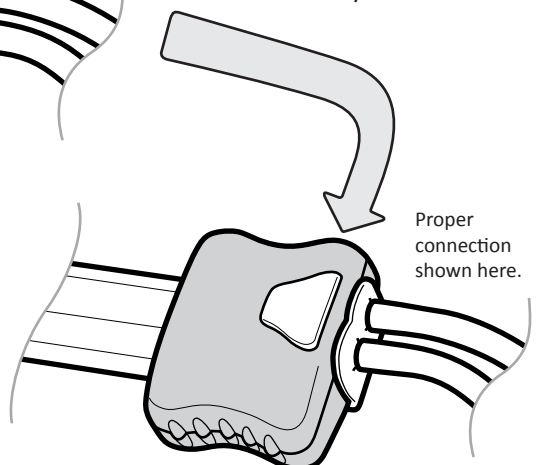
CAUTION: Do not use petroleum based lubricants on seals as it may cause them to swell and/or leak

Connection Procedure

Insert the Overlay Connector into the Hose Connector. An audible “click” can be heard once the Connectors are fully seated. Confirm Connector seating with a slight pull.


Disconnection Procedure

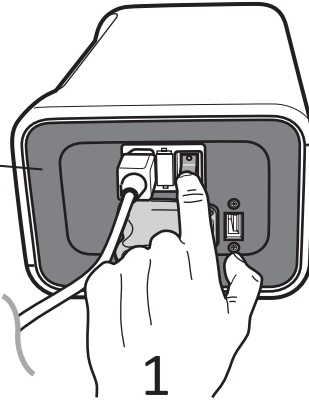
Depress the Orange Button and pull Overlay Connector to release.





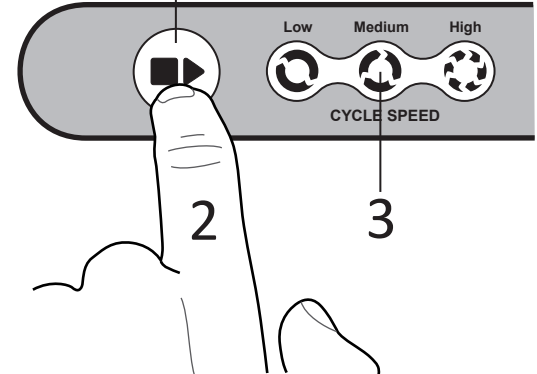
Operation and Settings

To operate the DabirAIR System:

1. Power Controller "ON" by depressing the Main Toggle Switch located on the side of the unit.
2. Touch the "START/STOP"  Key to activate Overlay Cycling.
3. Touch the desired Cycle Speed and Firmness Settings.



 FLASHING GREEN KEY = SYSTEM PAUSED
 SOLID GREEN KEY = SYSTEM ACTIVATED



CAUTION: Power "ON" does not activate the Overlay

Cleaning Procedures

The cleaning procedures listed below are recommended by the manufacturer and should be adjusted according to specific healthcare facility policy. Aggressive cleaning measures may cause damage and it is the responsibility of the caregiver to replace overlays when needed.

Cleaning the DabirAIR Micropressure and Microclimate Overlays:

With the Overlay connected to the Hose, disinfect by wiping down all areas with a hospital grade disinfecting cleaner and water, making sure to remove any organic debris. Allow for proper drying time per the disinfectant manufacturer's instructions.

Cleaner residue may affect the Overlay slip resistance. If this occurs, wipe the Overlay with a water moistened cloth to remove any residue.

For a list of approved and unapproved cleaners, visit: www.dabir-surfaces.com/cleaners

NOTES AND SAFETY WARNINGS:

- Overlays are intended to be used above an underlying support mattress or pad with good redistribution properties.
- Overlays are not to be used in direct contact with patient skin. (Always cover with bed sheet.)
- Always make sure the Device is powered "ON" and that the Overlay is activated during intended patient use.
- It is the responsibility of the caregiver to ensure that the user can operate this product safely.
- It is the responsibility of the caregiver to adequately secure and protect against patient falls.
- It is the responsibility of the caregiver that the device is properly cleaned prior to patient use.
- It is the responsibility of the caregiver to properly dispose of the overlay when damage or contamination occurs.
- Always turn Device "OFF" during patient transfer, cleaning and before patient positioning.
- No Latex is used in the manufacturing of this product.



Headquarters and Manufacturer:
Sales:
Technical and Warranty Support:
Website:
European Authorized Representative:

Dabir Surfaces, Inc., 7447 West Wilson Ave., Harwood Heights, IL 60706, USA
sales@dabir-surfaces.com
support@dabir-surfaces.com Tel: +1(888)559-3642
www.dabir-surfaces.com
Ergo Europe, Prinsessegracht 20, 2514 AP The Hague, The Netherlands

Tel: +1(888)559-3641

